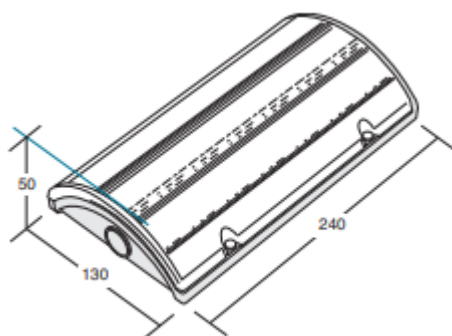


Brilas



Please see the attached pages for detailed specifications.



Mounting:	Surface mounted
Body material:	Polycarbonate
Colour:	White
LED module:	N/A
Colour temperature:	4500K
Colour Rendering Index (CRI):	N/A
Driver:	N/A
Emergency unit:	Yes
Movement sensor:	N/A
Daylight control sensor:	N/A
Operating temperature range:	0°C to +40°C
IP Class:	IP65
Power:	3.2w
Lighting direction:	Direct
Reflector type:	N/A
Light distribution:	Symmetric
Diffuser:	Polycarbonate clear lens
General data:	5 Years standard warranty, possible extension with project registration Different lumen output or wattage available on request All other technical features such as : Luminaire Eicacy, LOR, Lumen maintenance L/B etc. available in our pricelist Wattage of products may vary due to constant LED eicacy improvements. Luminous lux & Luminaire Power tolerance +/- 10%. System power consumption (LED module & driver) depends on components used