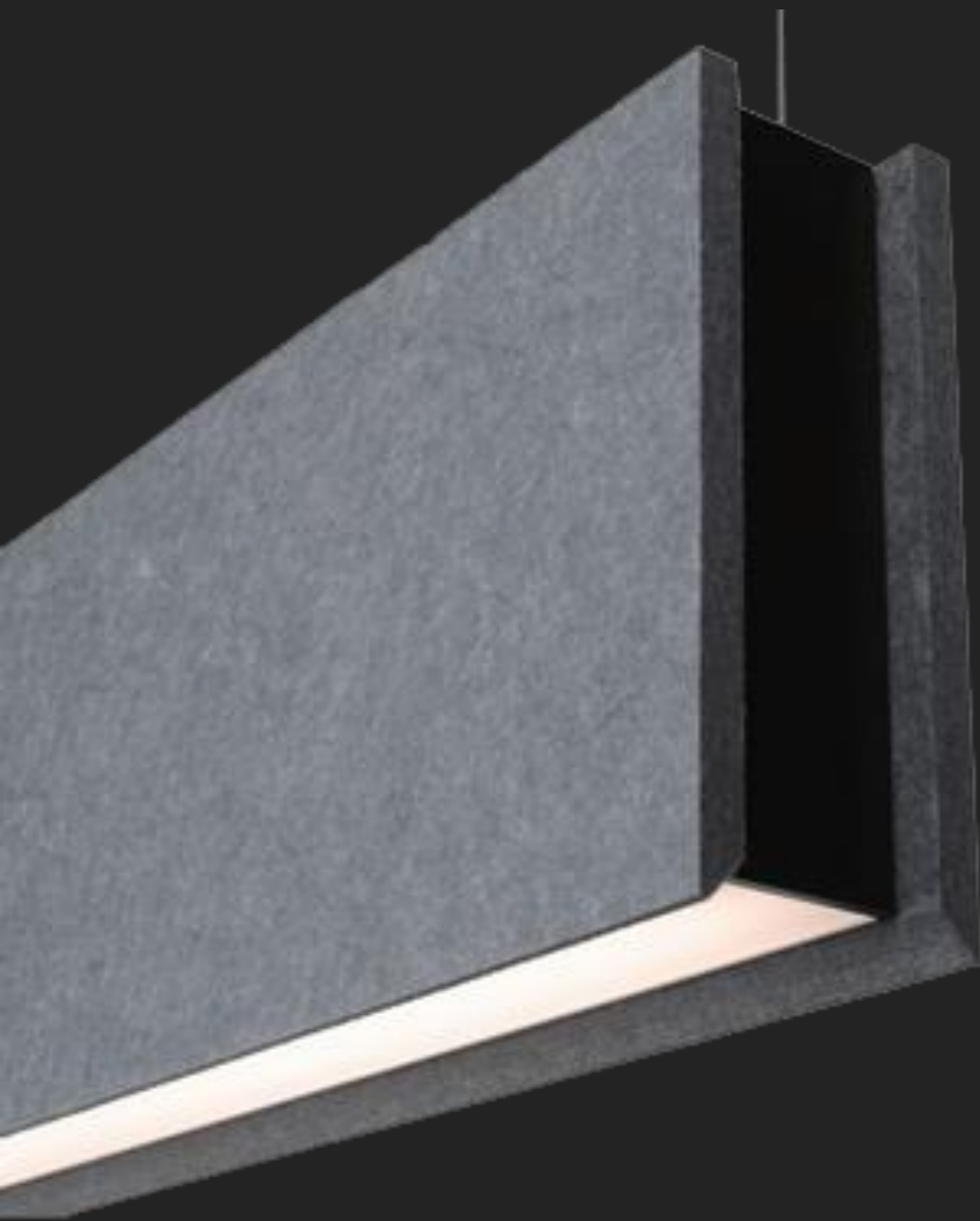


**MARLITE UK**

Proline 60 Acoustic



## PROLINE 60 ACOUSTIC

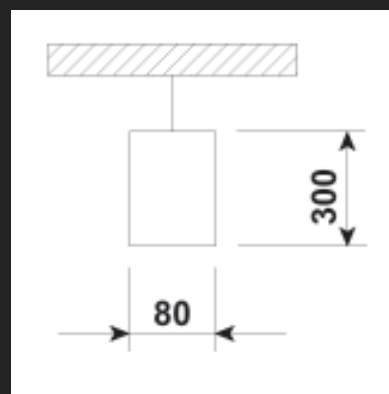
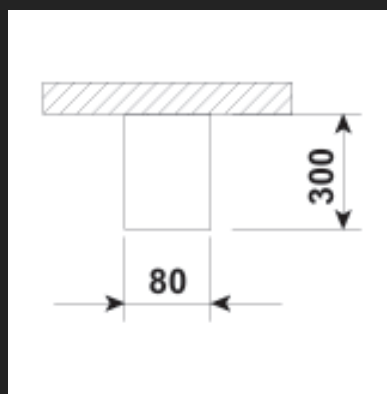
Surface mounted or suspended LED luminaires with direct lighting and 10 mm thick acoustic panels. Acoustic panels are available in different colours. Proline 60 Acoustic is also available with acoustic function only without light. Bespoke lengths of lighting lines available on request.

<b>Mounting:</b>	Surface or suspended
<b>Body material:</b>	Aluminium profile
<b>Colour:</b>	Standard White RAL 9016, other RAL colours on request
<b>LED module:</b>	Signify (Philips), Osram, Tridonic or equivalent LED module included.
<b>Colour temperature:</b>	3000/4000K, other on request
<b>Colour Rendering Index (CRI):</b>	>80 in standard, other on request
<b>Driver:</b>	EVG/DALI on request
<b>Emergency unit:</b>	On request
<b>Movement sensor:</b>	On request
<b>Daylight control sensor:</b>	On request
<b>Operating temperature range:</b>	0°C to +40°C
<b>IP Class:</b>	IP20 in standard, IP44 on request
<b>Power:</b>	220-240V 50/60Hz
<b>Lighting direction:</b>	Direct
<b>Reflector type:</b>	White
<b>Light distribution:</b>	Symmetric
<b>Diffuser:</b>	OP (Opal), MP19 (Microprismatic with UGR<19)

**PROLINE 60 ACOUSTIC**

Dimensions & Drawings

Product Code	Product name	Gross Lumen [lm]	Nett Lumen [lm]	Power [W]	Efficacy [lm/W]	Colour temp [K]	Length [mm]	Width [mm]	Height [mm]
10.00218.83.E.OP/ACU	PROLINE 60 S DN 8800 lm/830/E/OP	8800	7000	56	125	3000	2300	80	300
10.00218.84.E.OP/ACU	PROLINE 60 S DN 8800 lm/840/E/OP	8800	7000	56	125	4000	2300	80	300



# PROLINE 60 ACOUSTIC

Images

