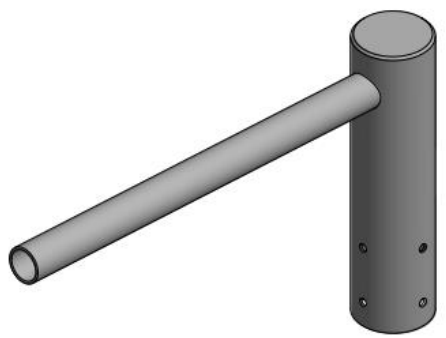
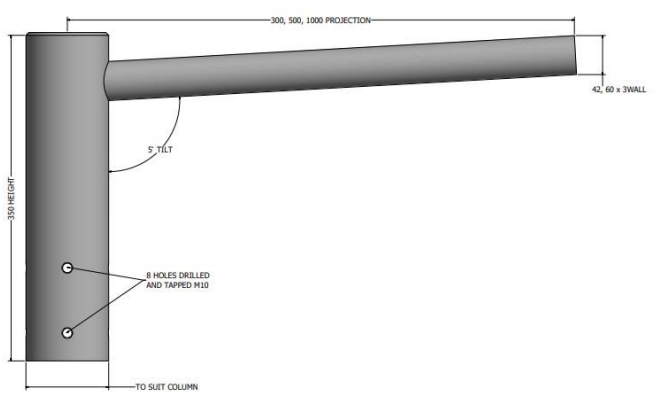


Single Outreach Arm



Mounting:	N/A
Body material:	N/A
Colour:	N/A
LED module:	N/A
Colour temperature:	N/A
Colour Rendering Index (CRI):	N/A
Driver:	N/A
Emergency unit:	N/A
Movement sensor:	N/A
Daylight control sensor:	N/A
Operating temperature range:	N/A
IP Class:	N/A
Power:	N/A
Lighting direction:	N/A
Reflector type:	N/A
Light distribution:	N/A
Diffuser:	N/A

Please see the attached pages for detailed specifications.



General data:

5 Years standard warranty, possible extension with project registration

Different lumen output or wattage available on request

All other technical features such as : Luminaire Eicacy, LOR, Lumen maintenance L/B etc. available in our pricelist

Wattage of products may vary due to constant LED eicacy improvements. Luminous lux & Luminaire Power tolerance +/- 10%.

System power consumption (LED module & driver) depends on components used