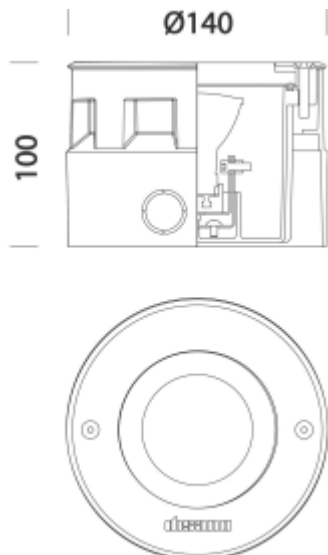


**1864 Midifloor LED**



Please see the attached pages for detailed specifications.



<b>Mounting:</b>	Ground
<b>Body material:</b>	Die-cast Aluminium with fibreglass nylon outer shell.
<b>Colour:</b>	N/A
<b>LED module:</b>	First brand LED module
<b>Colour temperature:</b>	3000k/4000k
<b>Colour Rendering Index (CRI):</b>	CRI 80>
<b>Driver:</b>	First brand driver
<b>Emergency unit:</b>	No
<b>Movement sensor:</b>	Available on request
<b>Daylight control sensor:</b>	Available on request
<b>Operating temperature range:</b>	0°C to +40°C
<b>IP Class:</b>	IP67
<b>Power:</b>	N/A
<b>Lighting direction:</b>	Indirect
<b>Reflector type:</b>	N/A
<b>Light distribution:</b>	Symmetric
<b>Diffuser:</b>	Tempered glass
<b>General data:</b>	5 Years standard warranty, possible extension with project registration Different lumen output or wattage available on request All other technical features such as : Luminaire Eicacy, LOR, Lumen maintenance L/B etc. available in our pricelist Wattage of products may vary due to constant LED eicacy improvements. Luminous lux & Luminaire Power tolerance +/- 10%. System power consumption (LED module & driver) depends on components used