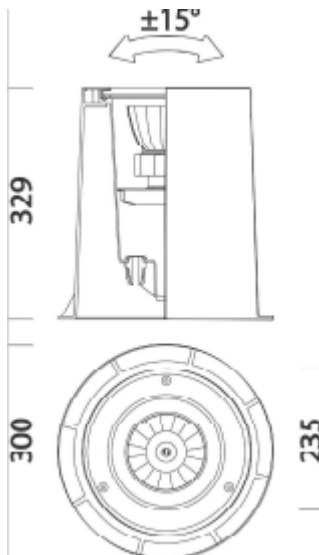


1883 MINIFLOOR LED


Please see the attached pages for detailed specifications.



Mounting:	Ground
Body material:	Die-cast Aluminium
Colour:	N/A
LED module:	First brand LED module
Colour temperature:	3000k/4000k
Colour Rendering Index (CRI):	CRI 90>
Driver:	First brand driver
Emergency unit:	No
Movement sensor:	Available on request
Daylight control sensor:	Available on request
Operating temperature range:	0°C to +40°C
IP Class:	IP67
Power:	220-240V 50/60Hz
Lighting direction:	Indirect
Reflector type:	N/A
Light distribution:	Symmetric
Diffuser:	Clear Tempered glass
General data:	5 Years standard warranty, possible extension with project registration Different lumen output or wattage available on request All other technical features such as : Luminaire Efficacy, LOR, Lumen maintenance L/B etc. available in our pricelist Wattage of products may vary due to constant LED efficacy improvements. Luminous lux & Luminaire Power tolerance +/- 10%. System power consumption (LED module & driver) depends on components used