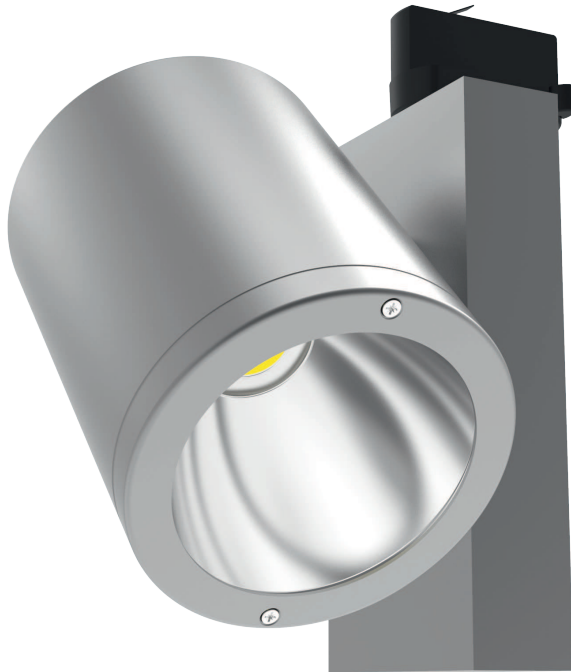


METRO LED SPOT



LED spotlight for three - phase track systems.

Mounting:	Directly in 3 phase track
Body material:	Steel and aluminium
Colour:	Standard Gray RAL 9006, other RAL colours on request (please add RAL code after index number)
LED module:	Philips / Osram or Tridonic LED module included
Colour temperature:	2700K, 3000K or 4000K
Colour Rendering Index (CRI):	>80 or >90 in standard
Driver:	Electronic driver in standard, DALI on request
Emergency unit:	N/A
Movement sensor:	N/A
Daylight control sensor:	N/A
Operating temperature range:	0°C ... +40°C
IP Class:	IP20
Power:	220-240V 50/60Hz
Lighting direction:	Direct lighting with possibility of light direction adjustment
Reflector type:	Aluminium glossy
Light distribution:	Symmetric
Reflector beam angle:	16° / 24° / 36°
Diffuser:	Clear glass
General data:	5 Years standard warranty, possible extension with project registration

Different lumen output or wattage available on request

All other technical features such as : Luminaire Efficacy, LOR, Lumen maintenance L/B etc. available in our pricelist

Ceiling mounting base instead of Track Adaptor available on request

Wattage of products may vary due to constant LED efficacy improvements. Luminous flux & Luminaire Power tolerance +/- 10%.

System power consumption (LED module & driver) depends on components used



Index no.	Lumen output [lm]	Power [W]	Colour temp. [K]	CRI	Lifetime [H]	Warranty [Years]	MacAdam [SDCM]	Weight [kg]
3728.2400/827	2400	20	2700	Ra > 80	50.000	5	3	1,90
3728.2400/830	2400	20	3000	Ra > 80	50.000	5	3	1,90
3728.2400/840	2400	20	4000	Ra > 80	50.000	5	3	1,90
3728.3200/827	3200	28	2700	Ra > 80	50.000	5	3	1,90
3728.3200/830	3200	28	3000	Ra > 80	50.000	5	3	1,90
3728.3200/840	3200	28	4000	Ra > 80	50.000	5	3	1,90
3728.2000/927	2000	20	2700	Ra > 90	50.000	5	3	1,90
3728.2000/930	2000	20	3000	Ra > 90	50.000	5	3	1,90
3728.2000/940	2000	20	4000	Ra > 90	50.000	5	3	1,90
3728.3000/927	3000	32	2700	Ra > 90	50.000	5	3	1,90
3728.3000/930	3000	32	3000	Ra > 90	50.000	5	3	1,90
3728.3000/940	3000	32	4000	Ra > 90	50.000	5	3	1,90

